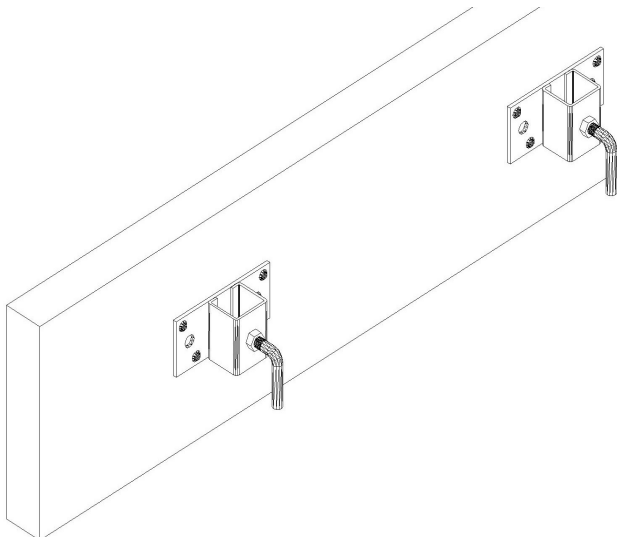


Step – 1

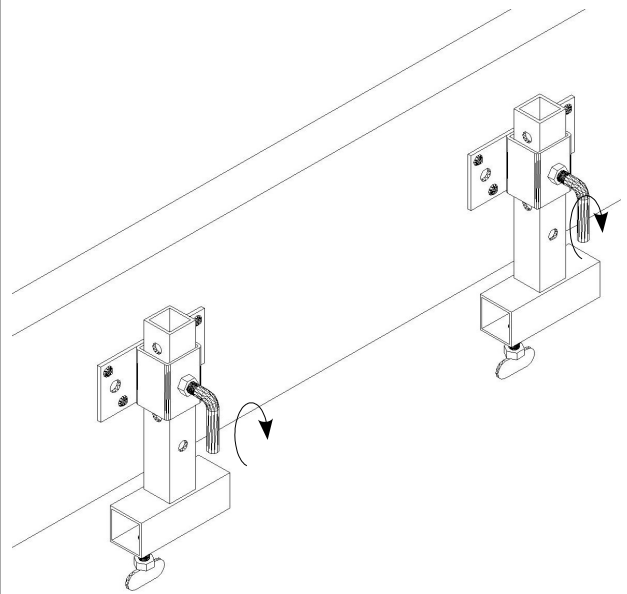
Install the Timber Bolt On Brackets using the following fasteners.

- Purlin : 12G x 50mm Steel Fix Screw
- Channel : 12G x 38mm, series 500 Screw
- Timber Batten : 14-10 x 50mm type 17 Wood Screws (min. 35mm embedment)



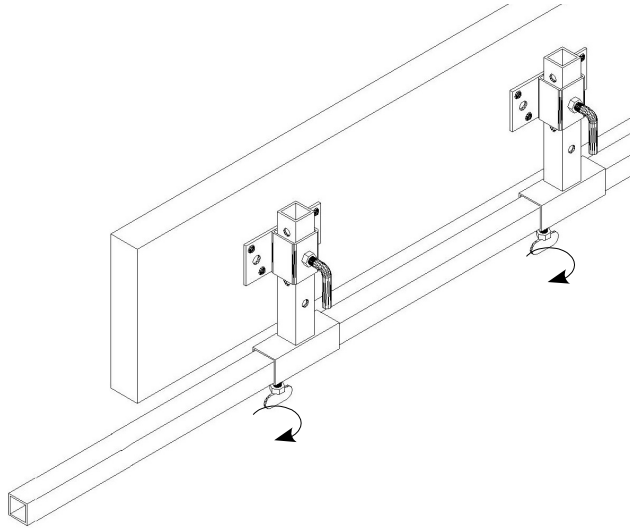
Step – 2

Slide the two T-pieces into both Timber Bolt On's and tighten the L bolts. (Note: L bolts must locate the holes in T-piece to prevent them sliding out.)



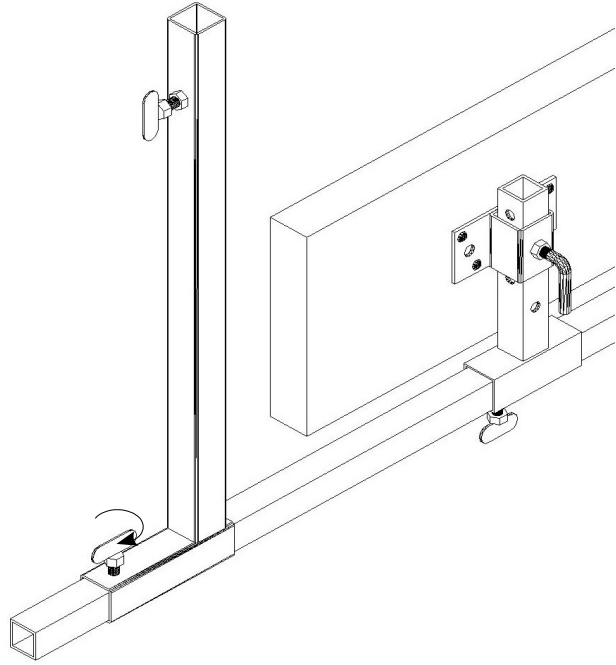
Step – 3

Slide the Support bar through both the T Pieces and and tighten the wing bolts.



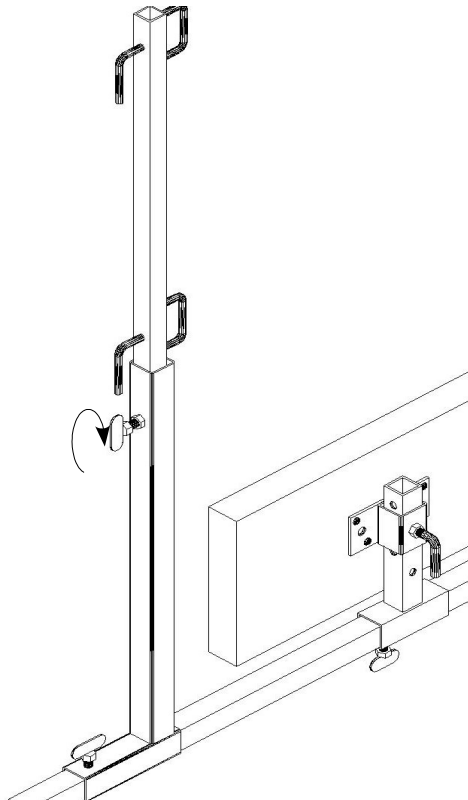
Step – 4

Slide the Bottom Post on to the Support Bar and tighten the wing Bolt.



Step – 5

Slide the 2D post into Bottom Post and tighten wing bolt.



Step – 6

Slide rails into 2D post and tighten L Bolts

