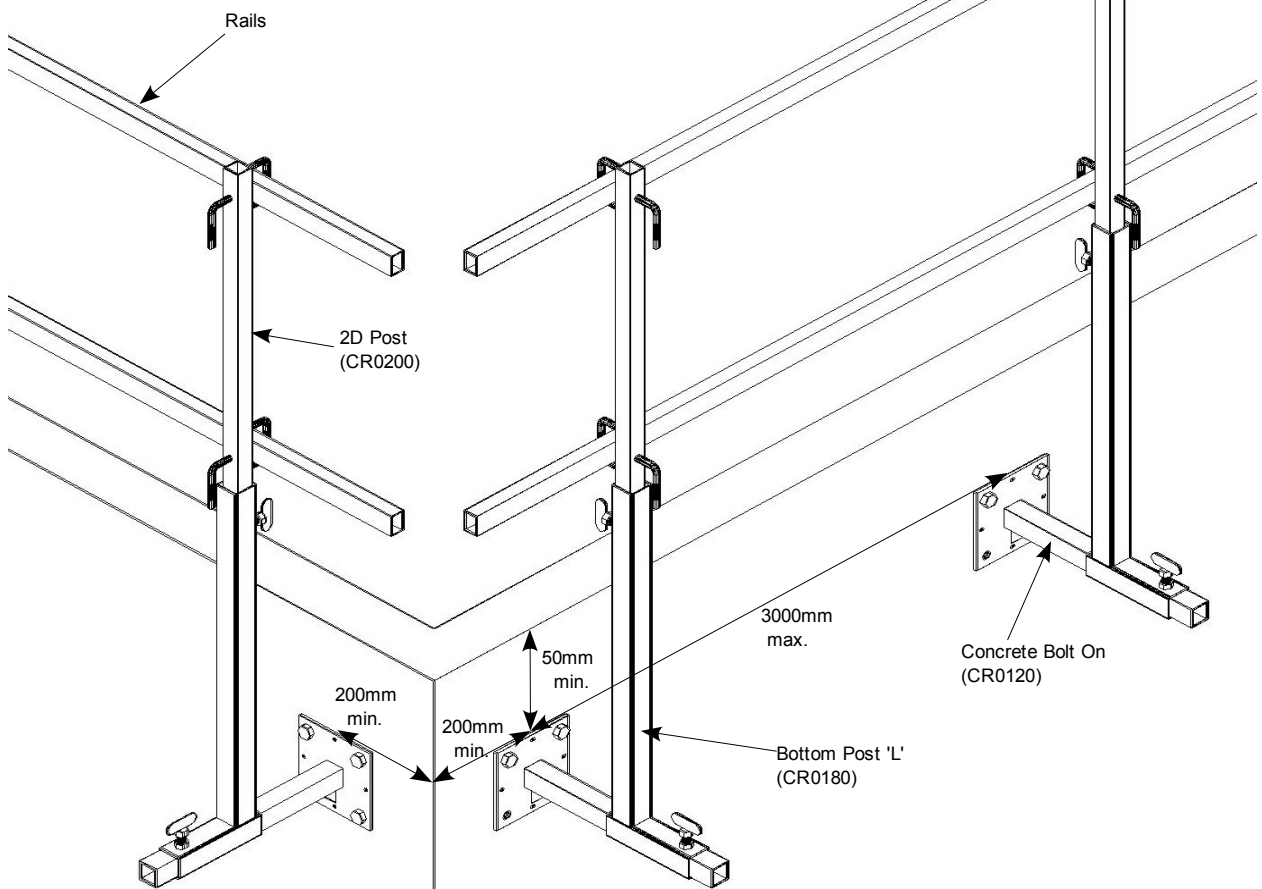
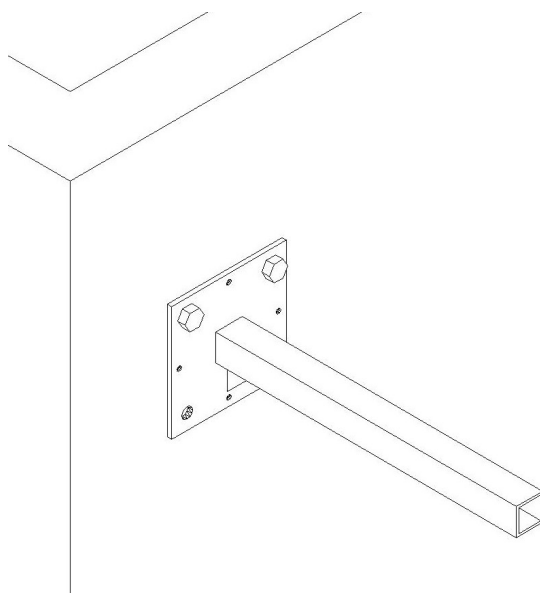


Note: - Maximum Post spacing is 3000mm.  
 - Installer must manage working at heights in accordance with state legislation under the OH+S act.



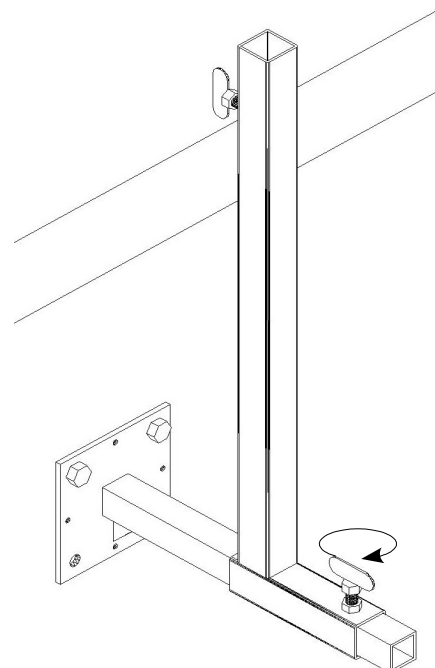
**Step - 1**

Locate Concrete Bolt On Bracket in correct positions as detail shown. Mark where bolt holes are to be drilled. And fastener with 3 x M10 x 50 Dyna Bolts per Brackets.



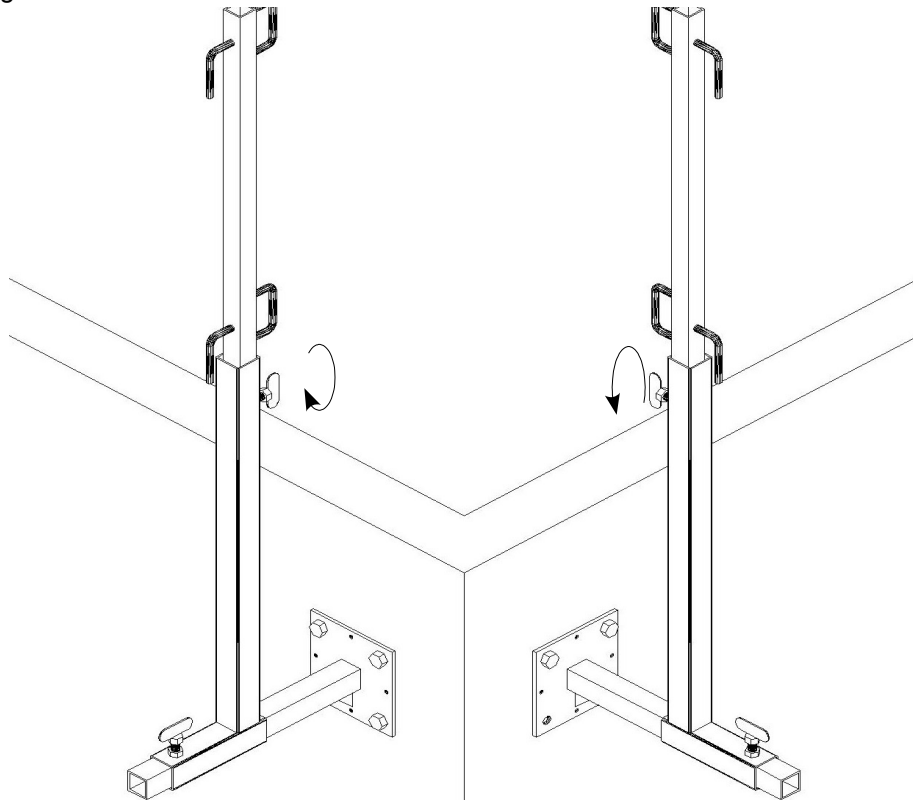
**Step - 2**

Slide Bottom Post onto the Concrete Bolt On Bracket and tighten the wing Bolt.



**Step – 3**

Insert the 2D Post into Bottom Post with “D’s” facing the working area and tighten the wing bolts.



**Step – 4**

Install the rails using Rail joiner and Corner Brackets as needed. Tighten the 'L' Bolts.

