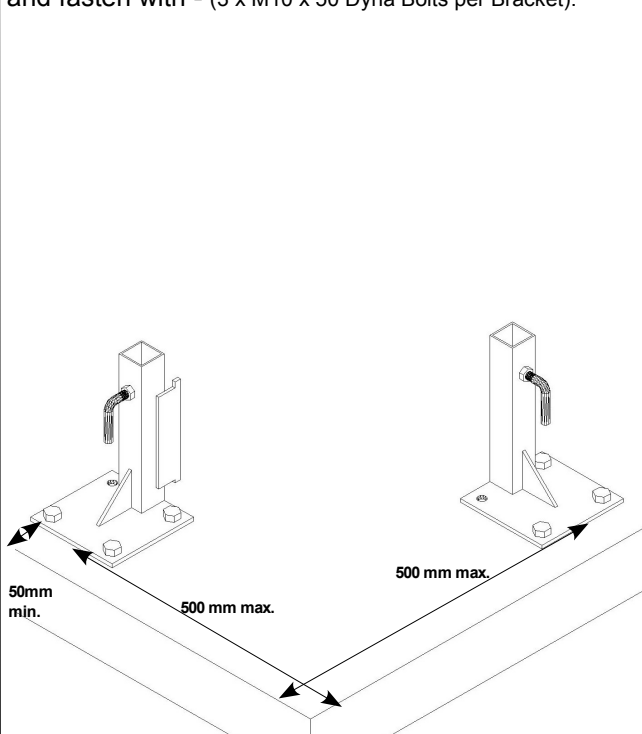


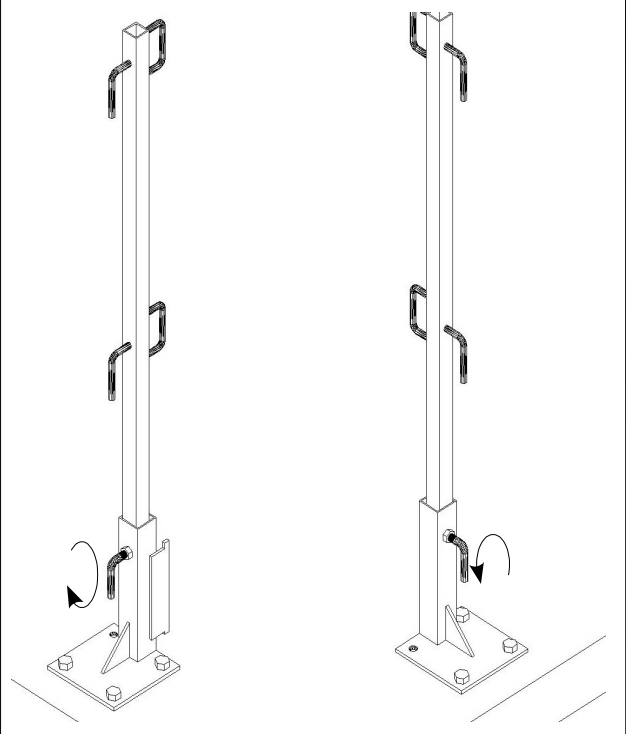
**Step – 1**

Locate Concrete Bolt Down brackets in correct positions as detail shows. Mark where bolt holes are to be drilled. and fasten with - (3 x M10 x 50 Dyna Bolts per Bracket).



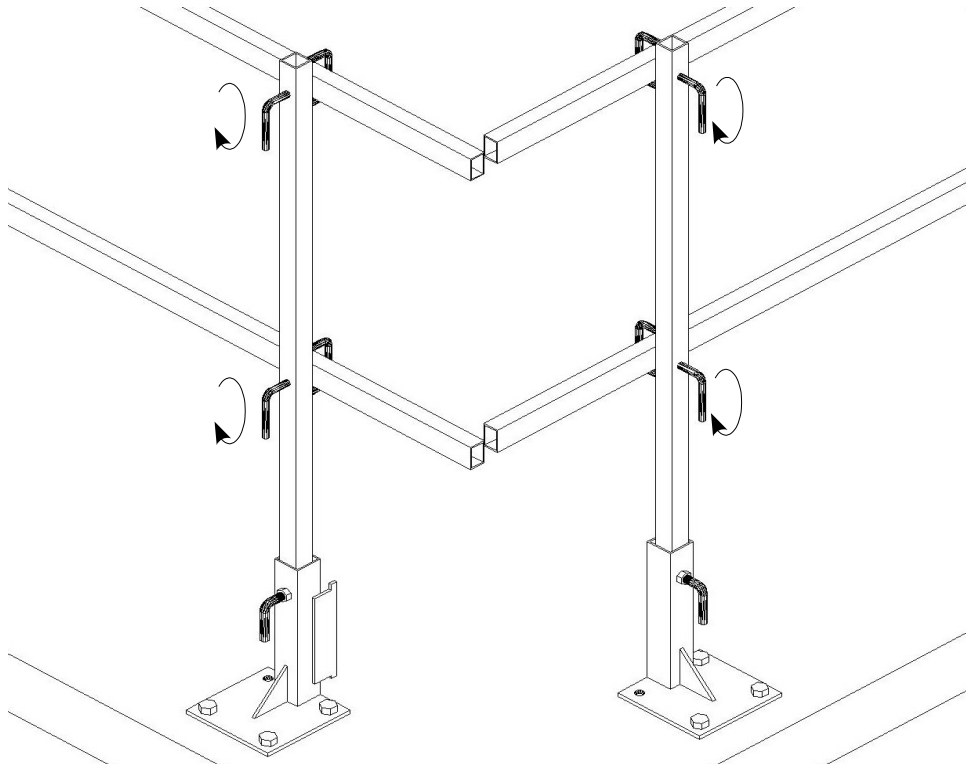
**Step – 2**

Insert 2D posts into Bolt Down brackets with “ D’s “ facing the working area and tighten L bolts.



**Step – 3**

Install rails and fit rail joiners and Corner brackets as needed.  
Tighten all L Bolts.



**Step – 4**

Fix Kickboards to brackets using sleeves and corner connector as needed.

