

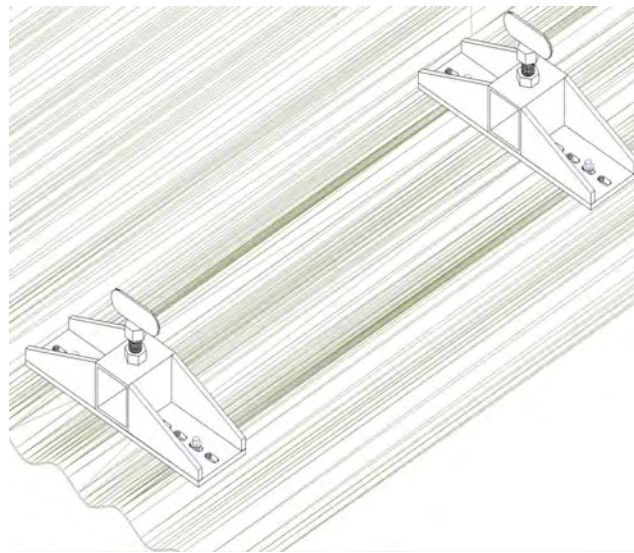
Step – 1

Locate host member, check that it is sand and remove existing roof screw. Install screw down bracket with following fasteners in each bracket.

- Purlin : 12G x 50mm Steel Fix Screw
- Channel : 12G x 38mm, series 500 Screw
- Timber Batten : 12-11 x 65mm type 17 Wood Screws (min. 35mm embedment)

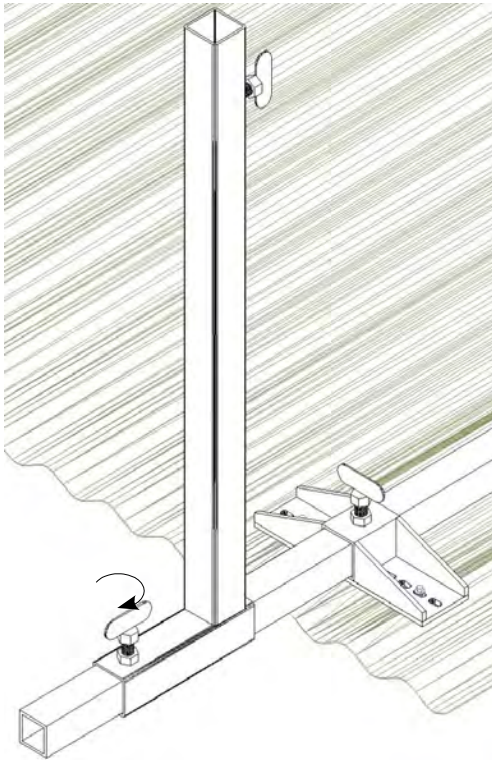
Step – 2

Slide the Support Bar into both screw down bracket and tighten the wing bolts.



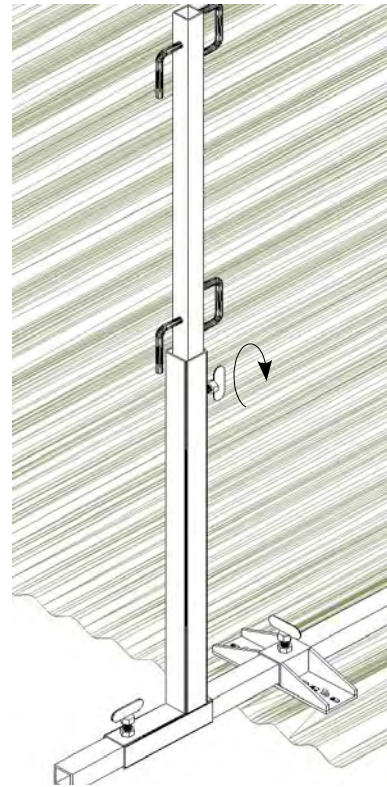
Step – 3

Slide the Bottom Post 'L' on to the support bar and tighten the wing bolt.



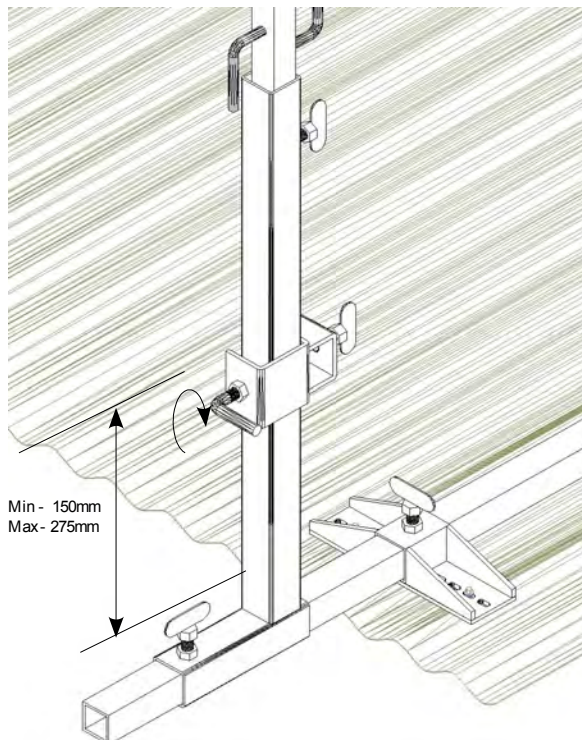
Step – 4

Slide the 2D post into the Bottom Post 'L' and Tighten the wing bolt.



Step – 5

Slide the 3rd clamp on Bottom Post 'L' and tighten L bolt. (Note: min. and max. from roof surface)



Step – 6

Slide the rails into 3rd rail clamp and 2D post and tighten bolts.

