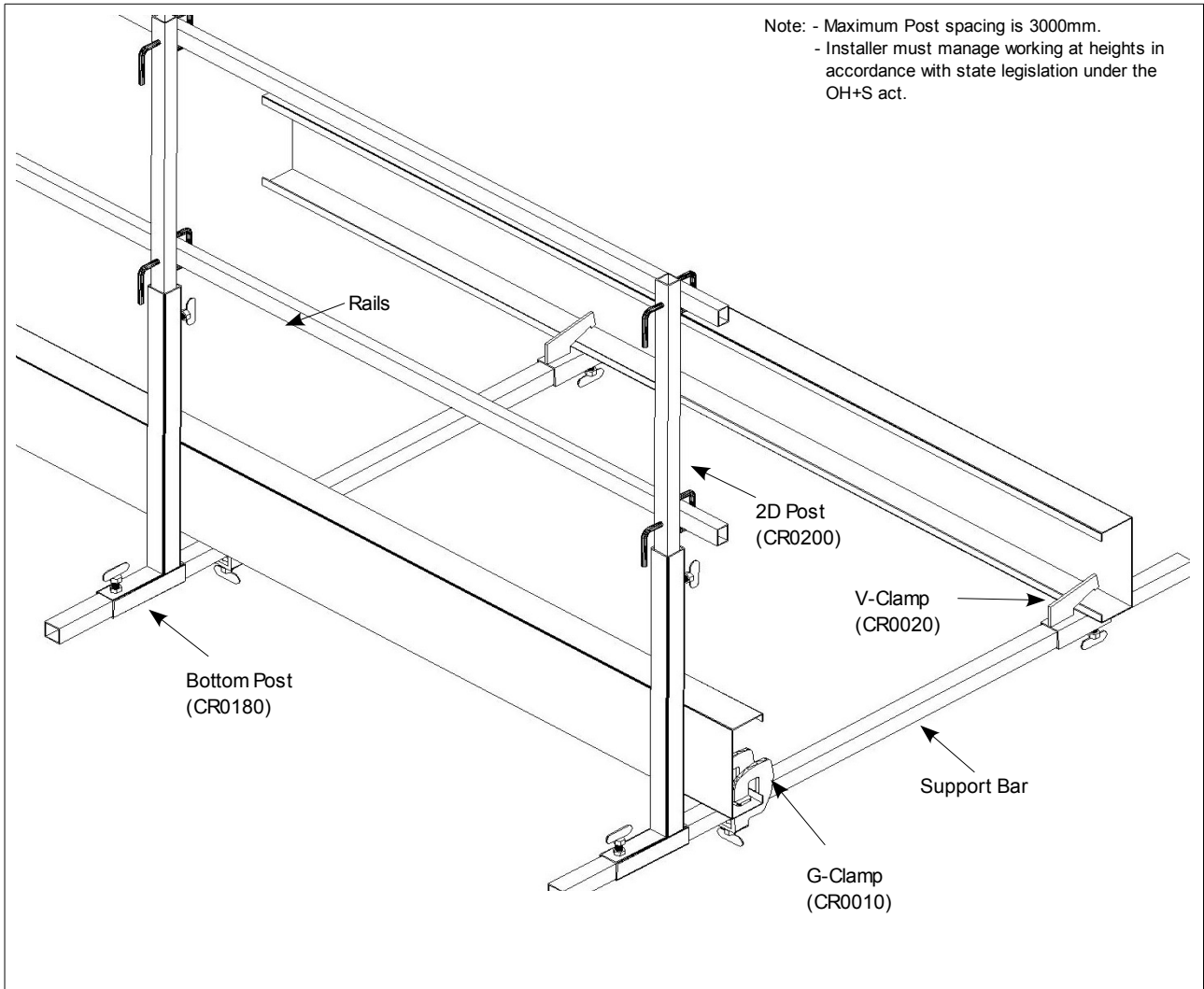
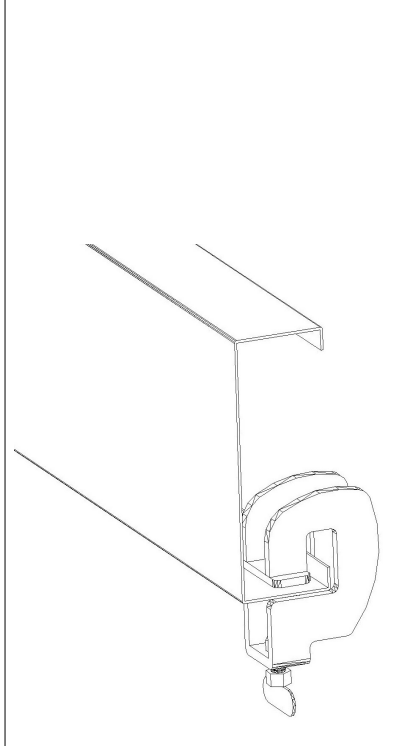


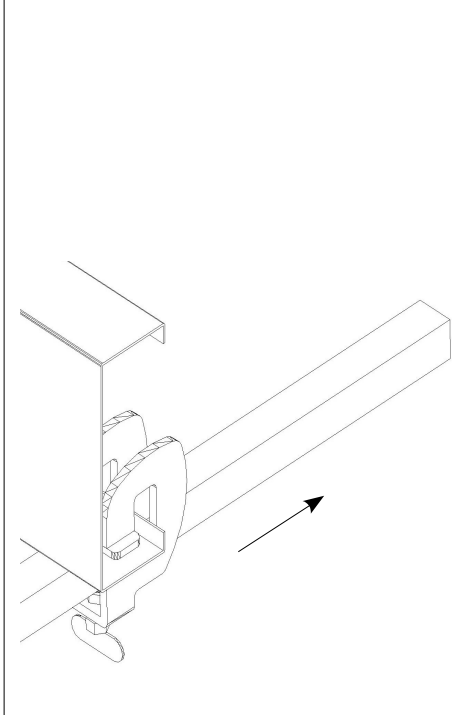
Purlin Rail (Off two Purlins)



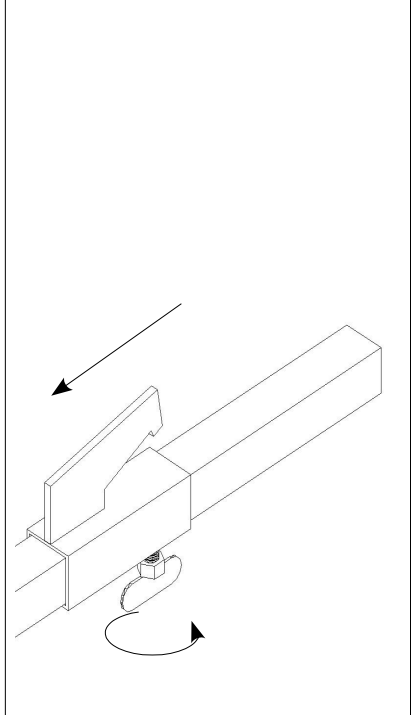
Step-1
Position G-Clamp On the Purlin.



Step-2
Slide Support Bar through the G-Clamp.



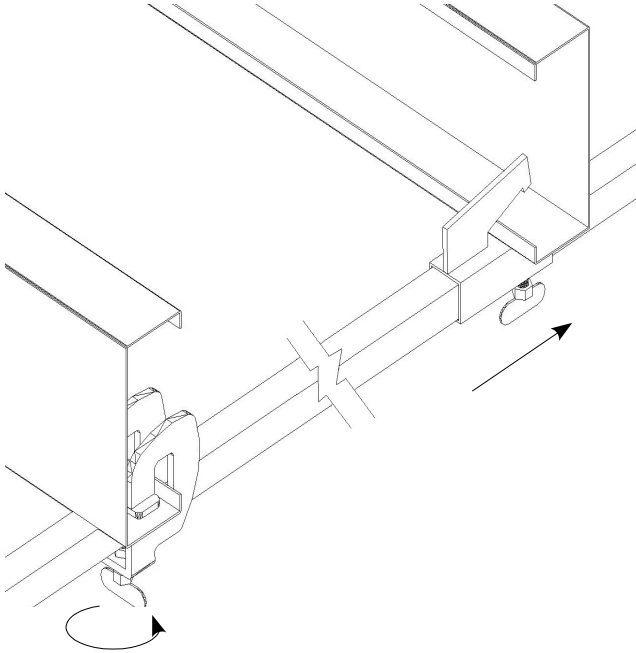
Step-3
Slide V-Clamp on the Support Bar and tighten the wing bolt.



Purlin Rail(Off two Purlins)

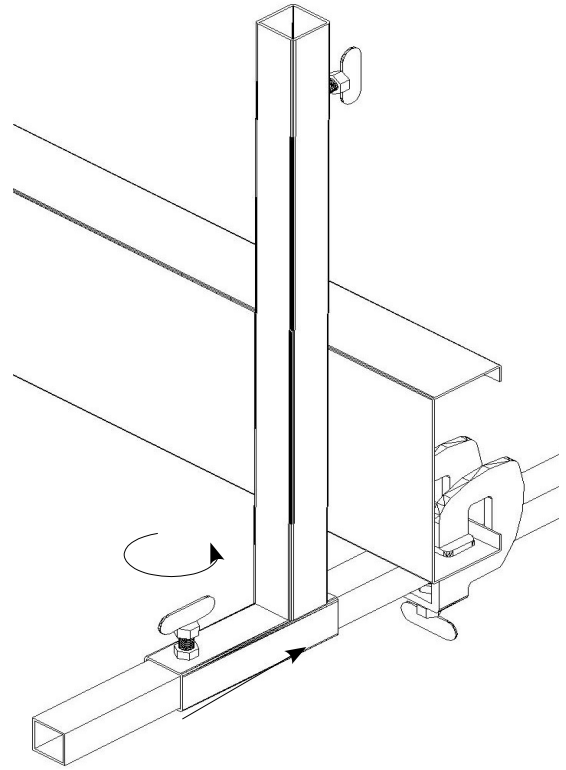
Step-4

Slide the support bar through G-Clamp and locate V-Clamp on 2nd purlin and tighten wing bolt on G-Clamp.



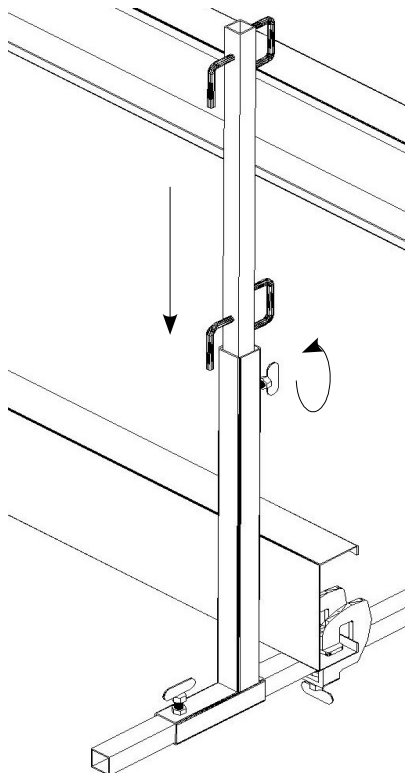
Step-5

Slide the Bottom Post on support bar and tighten the wing bolt.



Step-6

Slide 2D Post into the Bottom Post and tighten wing bolt. Make sure "D's" are facing working area.



Step-7

Slide the rails into 2D Post and tighten the 'L' Bolts.

