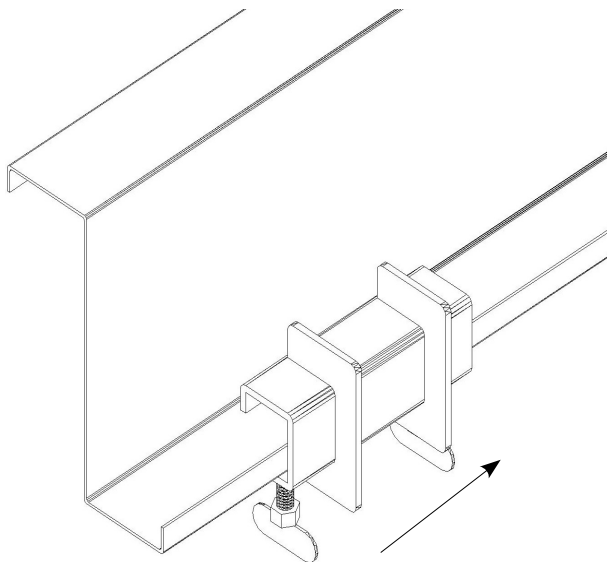
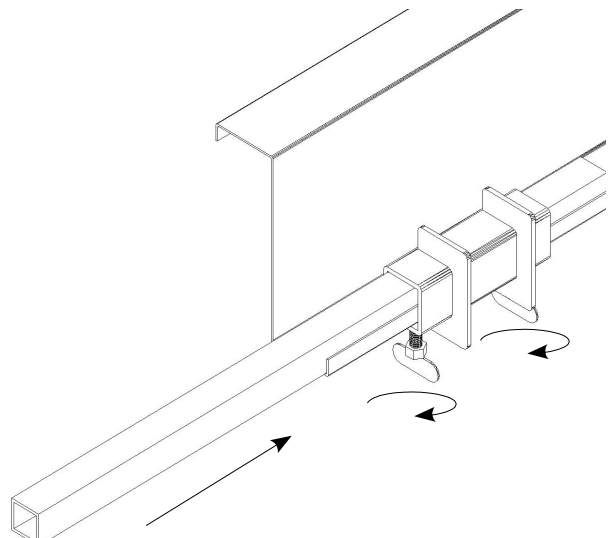


Step – 1
 Position the End Clamp on the purlin.

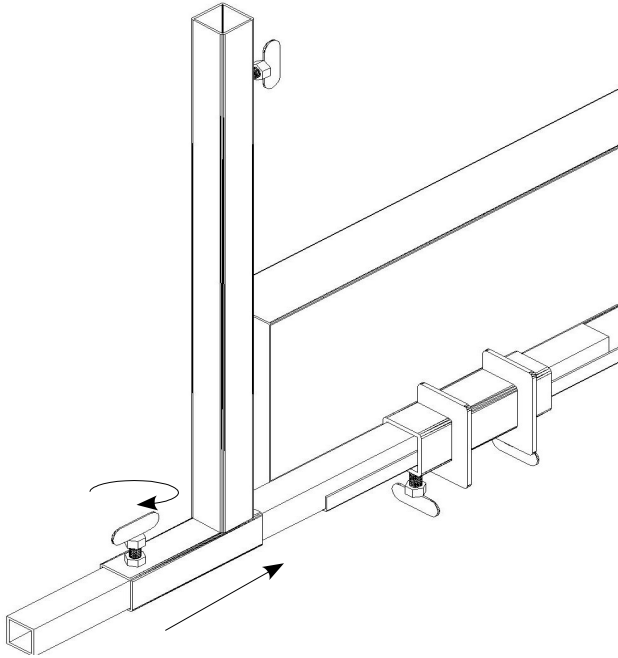


Step – 2
 Slide Support bar into the End Clamp and tighten both wing bolts.



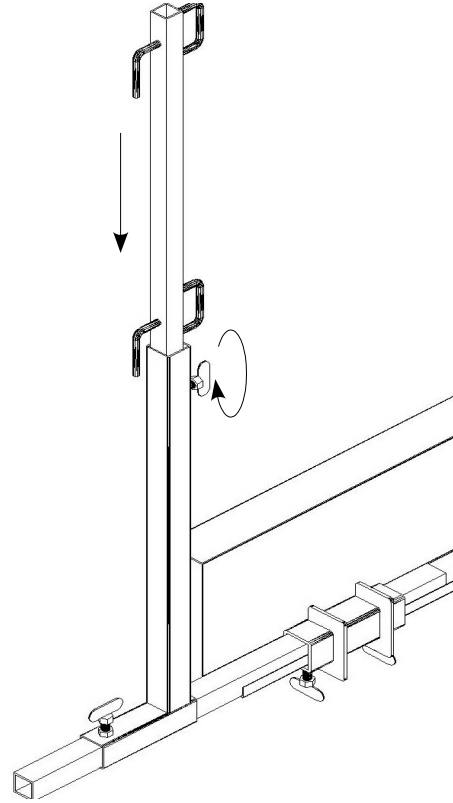
Step – 3

Slide Bottom Post onto the Support Bar and tighten the wing bolt.



Step – 4

Slide 2D post into the Bottom Post and tighten Wing bolt. Make sure "D's " are facing working area.



Step – 5

Slide rails into the 2D post and tighten L bolt.

