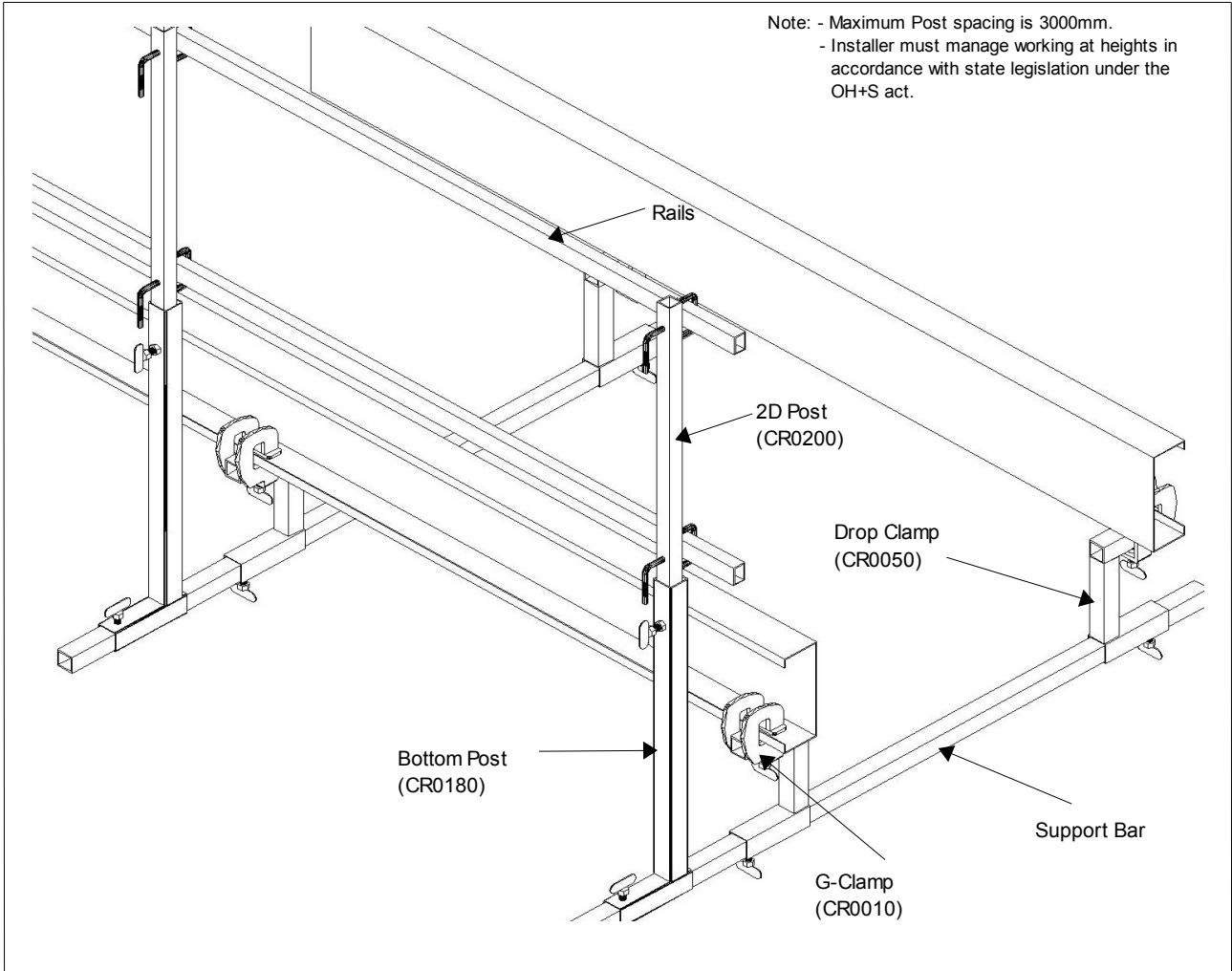
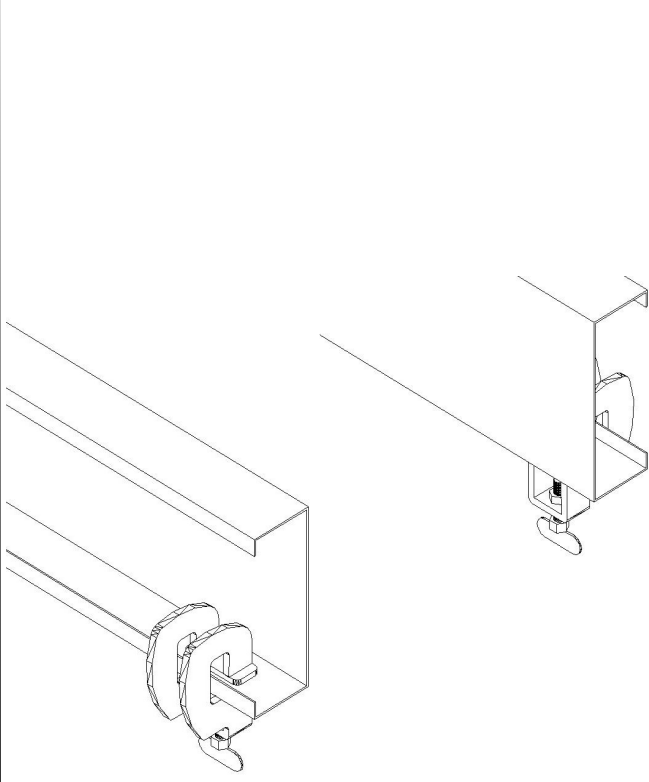


Purlin Drop Rail(With Drop Clamp)



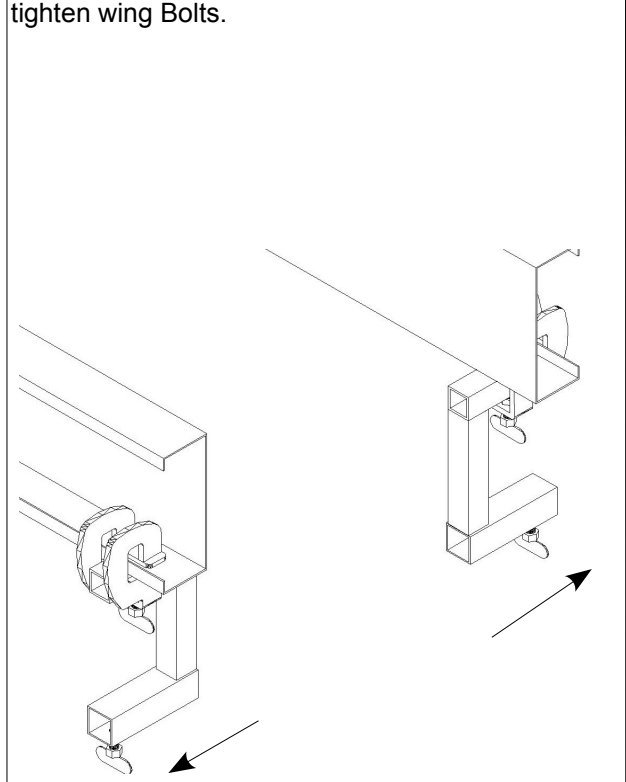
Step – 1

Position the G-Clamps on Purlins.



Step – 2

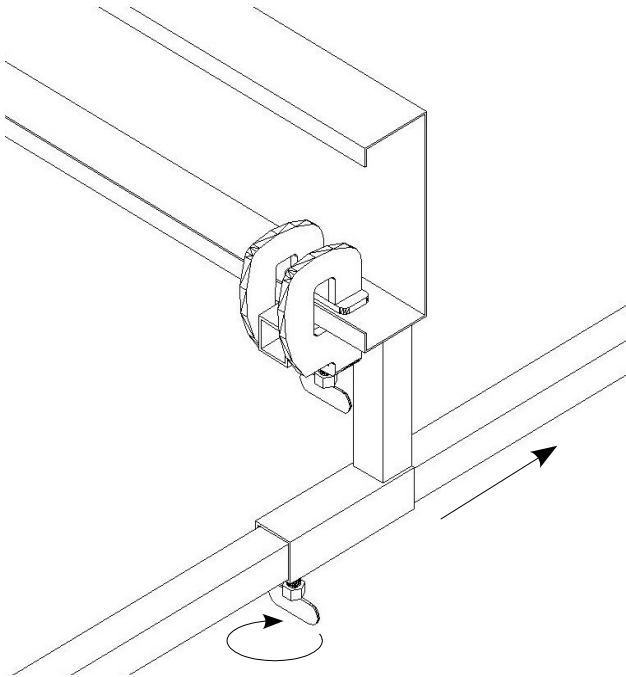
Slide the Drop Clamps into the G-clamps and tighten wing Bolts.



Purlin Drop Rail(With Drop Clamp)

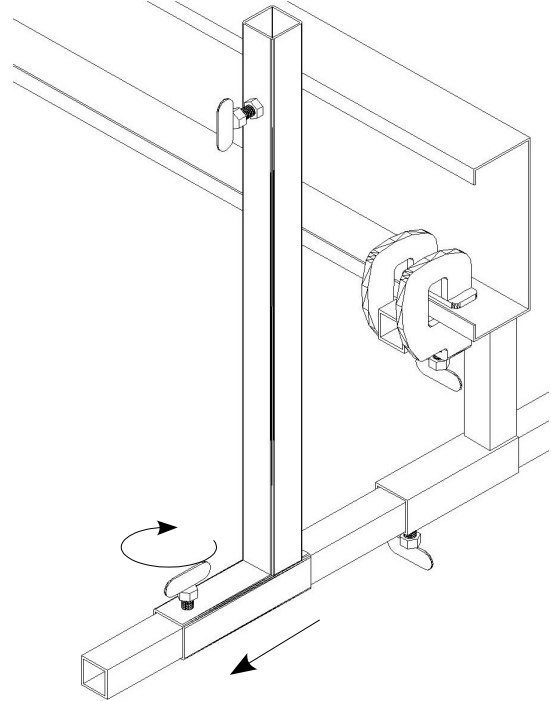
Step – 3

Slide support bar in both drop Clamps and tighten the wing bolts.



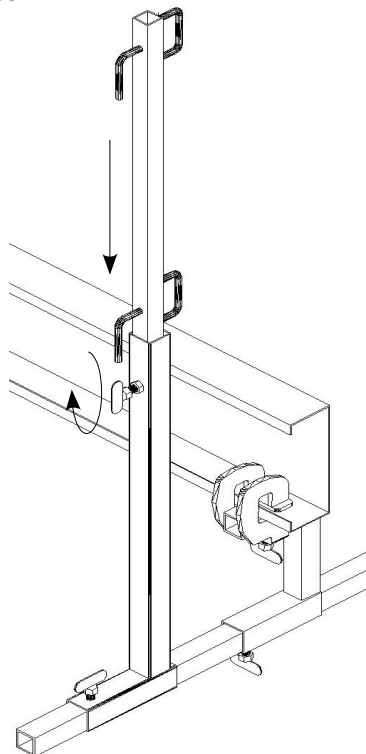
Step – 4

Slide Bottom post on Support bar and tighten Wing bolt.



Step – 5

Slide 2D post into the Bottom Post and tighten wing bolt. Make sure that the top rail is minimum 900mm above roof level. Make sure “D’S” are facing working area.



Step – 6

Slide rails into 2D post and tighten 'L' bolts.

