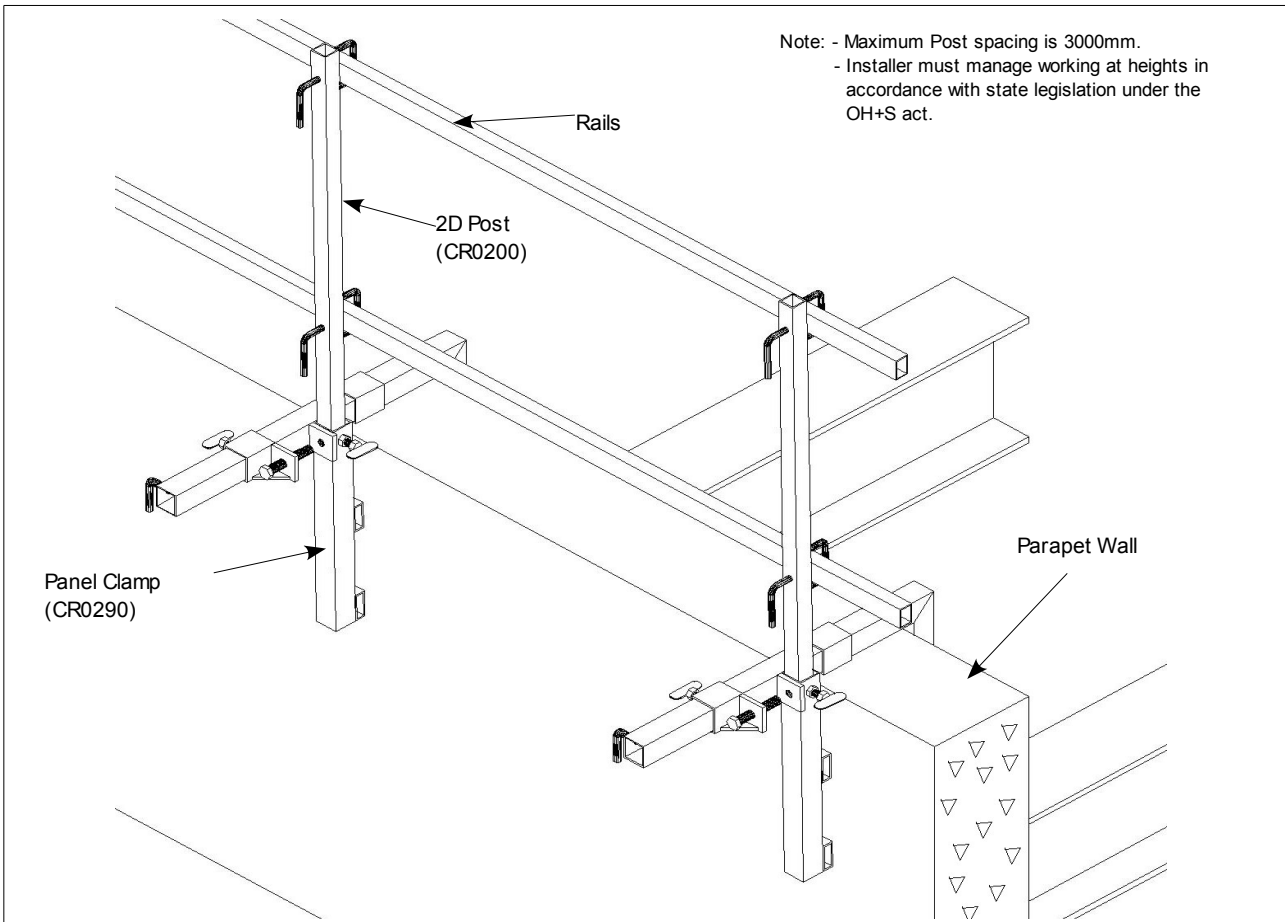
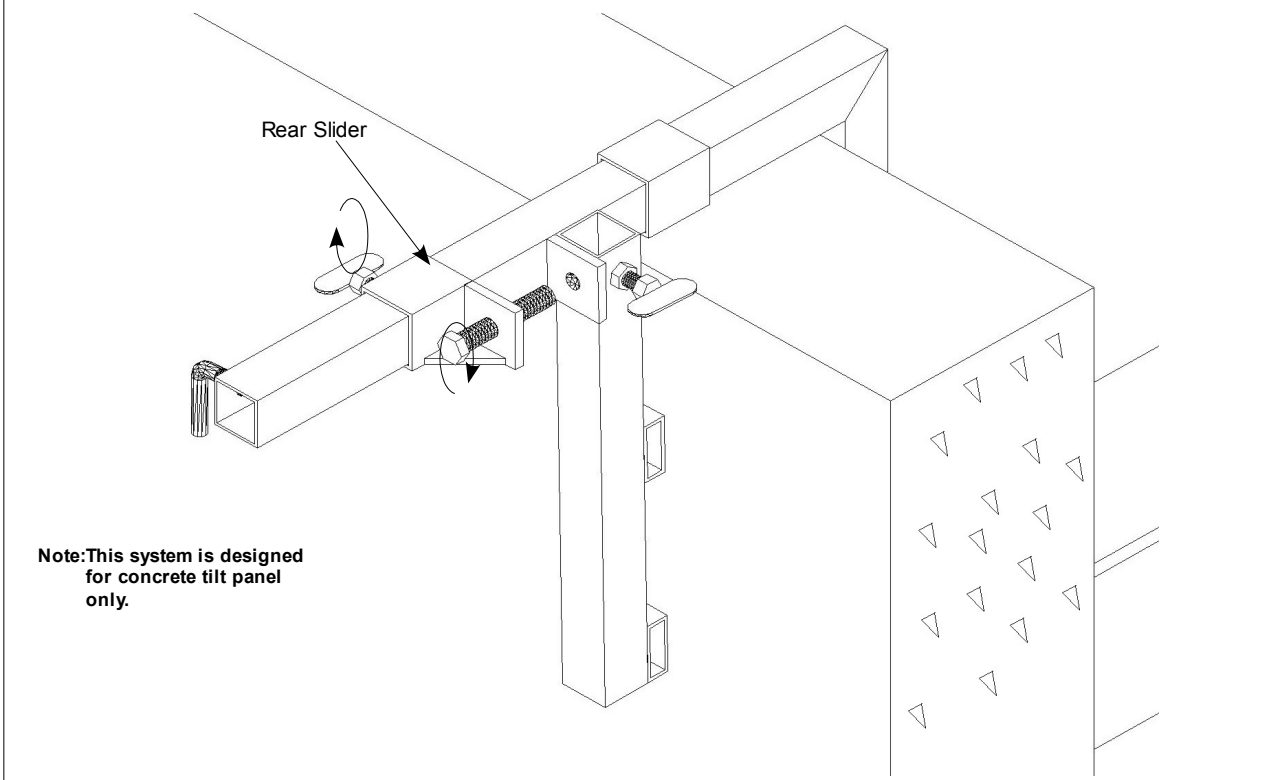


Panel Clamp Rail



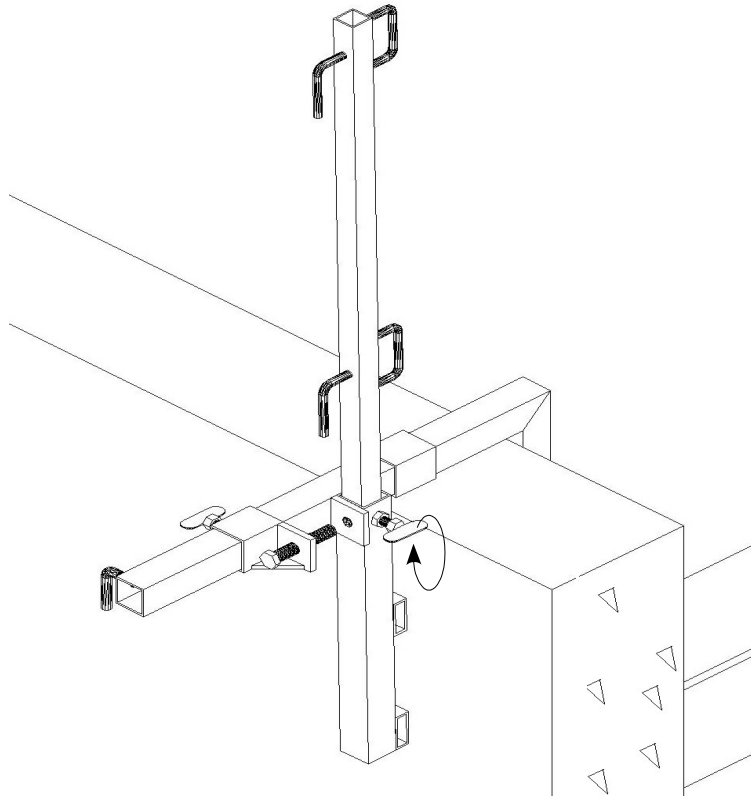
Step – 1

Place Panel Clamp Over the Parapet Wall. Locate rear slider and tighten the Wing Bolt. Tighten M16 main Bolt in rear slider until clamp is tight on parapet wall.



Step – 2

Slide 2D post into the Panel Clamp and tighten the wing bolt. Make sure “ D's “ are facing toward working area.



Step – 3

Slide the rails into the 2D post and tighten the 'L' Bolts.

