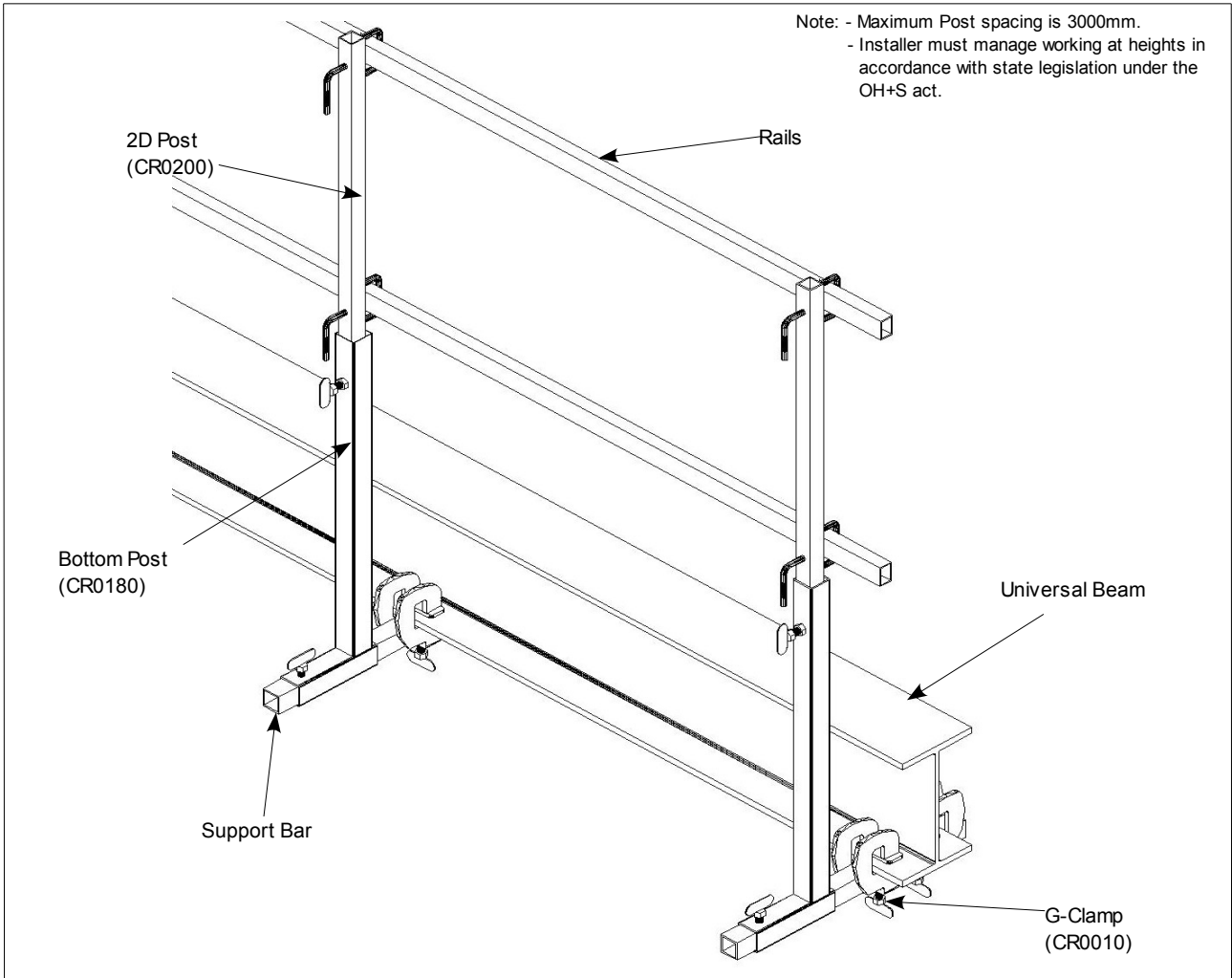
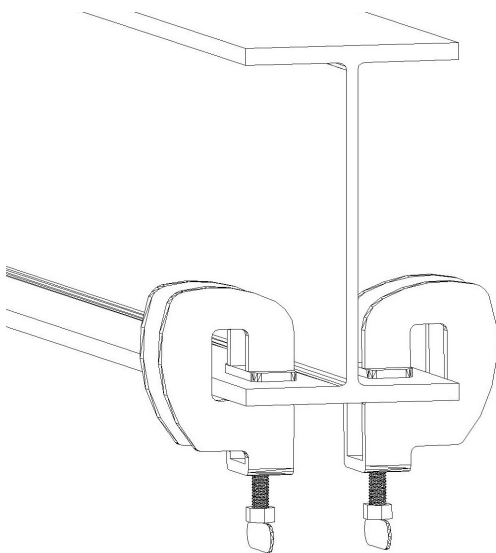


## Beam Rail (Off Universal Beam)



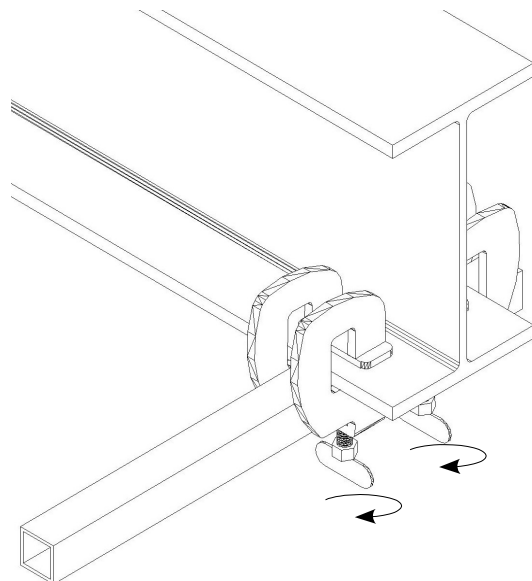
### Step - 1

Position the G-Clamps onto each side of Universal Beam.



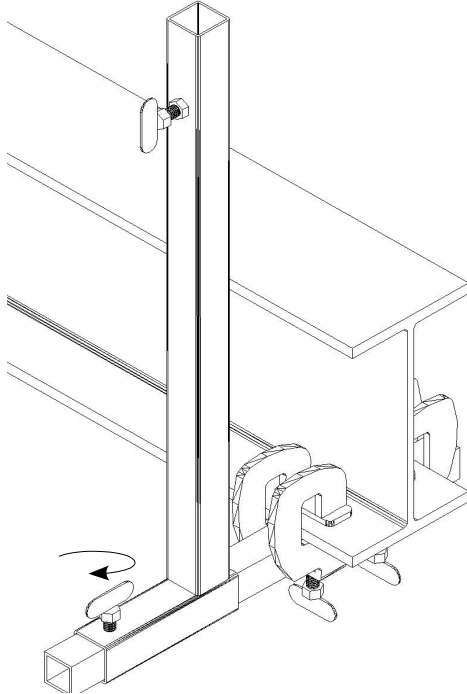
### Step - 2

Slide the Support Bar through both G-Clamps and tighten wing bolts on both clamps.



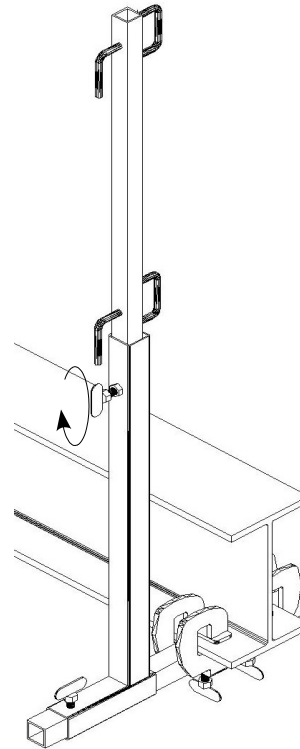
**Step – 3**

Slide the Bottom Post on to the support Bar and tighten the wing bolt.



**Step – 4**

Slide the 2D post into the Bottom Post and tighten the wing bolt. Make sure “ D's ” are facing work area.



**Step – 5**

Slide the rails into the 2D post and tighten the L bolt.

